

Low-Power Dual Digital Isolators

FEATURES

- **Highest Signaling Rate:** up to 250 Mbps
- **Low Power Consumption, Typical I_{CC} per Channel:**
 - 2.2 mA at 25 Mbps, 4.2 mA at 100 Mbps
- **Very Low Propagation Delay – 9 ns Typ. and Very Low Skew – 300 ps Typ.**
- **Widest T_A Range Specified: -55°C to 125°C**
- **4 kVpeak Maximum Isolation, 2.5 kVrms per UL 1577, IEC/VDE and CSA Approved, IEC 60950-1, IEC 61010-1 End Equipment Standards Approved. All Approvals Pending.**
- **50 kV/ μs Transient Immunity, Typical**
- **Over 25-Year Isolation Integrity at Rated Voltage**
- **Operates From 3-V to 5.5-V Supply and Logic Levels**

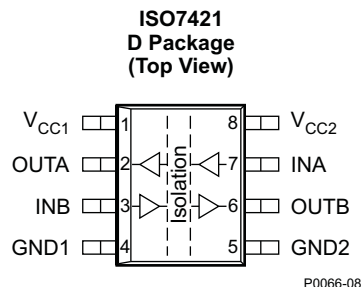
APPLICATIONS

- **Optocoupler Replacement in:**
 - Industrial Fieldbus
 - Profibus
 - Modbus
 - DeviceNet™ Data Buses
 - Servo Control Interface
 - Motor Control
 - Power Supplies
 - Battery Packs

DESCRIPTION

The ISO7421 and ISO7421M provide galvanic isolation up to 2.5 kVrms for 1 minute per UL. These digital isolators have two isolated channels with bidirectional configuration. Each isolation channel has a logic input and output buffer separated by a silicon dioxide (SiO_2) insulation barrier. Used in conjunction with isolated power supplies, these devices prevent noise currents on a data bus or other circuit from entering the local ground and interfering with or damaging sensitive circuitry.

The devices have TTL input thresholds and require two supply voltages from 3 V to 5.5 V, or any combination. All inputs are 5-V tolerant when supplied from a 3-V supply.



Please be aware that an important notice concerning availability, standard warranty, and use in critical applications of Texas Instruments semiconductor products and disclaimers thereto appears at the end of this data sheet.

DeviceNet is a trademark of Texas Instruments.



These devices have limited built-in ESD protection. The leads should be shorted together or the device placed in conductive foam during storage or handling to prevent electrostatic damage to the MOS gates.

TERMINAL FUNCTIONS

TERMINAL		I/O	DESCRIPTION
NAME	NO.		
INA	7	I	Input, channel A
INB	3	I	Input, channel B
GND1	4	–	Ground connection for V_{CC1}
GND2	5	–	Ground connection for V_{CC2}
OUTA	2	O	Output, channel A
OUTB	6	O	Output, channel B
V_{CC1}	1	–	Power supply, V_{CC1}
V_{CC2}	8	–	Power supply, V_{CC2}

FUNCTION TABLE⁽¹⁾

INPUT SIDE VCC	OUTPUT SIDE VCC	INPUT IN	OUTPUT OUT
PU	PU	H	H
		L	L
		Open	H
PD	PU	X	H

(1) PU = Powered up ($V_{CC} \geq 3$ V); PD = Powered down ($V_{CC} \leq 2.4$ V); X = Irrelevant; H = High level; L = Low level

AVAILABLE OPTIONS

PRODUCT	RATED ISOLATION	PACKAGE	INPUT THRESHOLD	RATED T_A	CHANNEL DIRECTION	MARKED AS	ORDERING NUMBER		
ISO7421	2.5 kVrms	D-8	~1.5 V (TTL) (CMOS compatible)	–40°C to 105°C	Opposite directions	IS7421	ISO7421D (rail)		
							ISO7421DR (reel)		
ISO7421M (PREVIEW)							–55°C to 125°C	I7421M	ISO7421MD (rail)
									ISO7421MDR (reel)

ABSOLUTE MAXIMUM RATINGS⁽¹⁾

				VALUE	
V_{CC}	Supply voltage ⁽²⁾ , V_{CC1} , V_{CC2}			–0.5 V to 6 V	
V_I	Voltage at IN, OUT			–0.5 V to 6 V	
I_O	Output current			±15 mA	
ESD	Electrostatic discharge	Human-body model	JEDEC Standard 22, Test Method A114-C.01	All pins	±4 kV
		Field-induced charged-device model	JEDEC Standard 22, Test Method C101		±1.5 kV
		Machine model	ANSI/ESDS5.2-1996		±200 V
$T_{J(Max)}$	Maximum junction temperature			150°C	

- (1) Stresses beyond those listed under *absolute maximum ratings* may cause permanent damage to the device. These are stress ratings only and functional operation of the device at these or any other conditions beyond those indicated under *recommended operating conditions* is not implied. Exposure to absolute-maximum-rated conditions for extended periods may affect device reliability.
- (2) All voltage values except differential I/O bus voltages are with respect to network ground terminal and are peak voltage values.

RECOMMENDED OPERATING CONDITIONS

		MIN	TYP	MAX	UNIT
V_{CC1}, V_{CC2}	Supply voltage	3		5.5	V
I_{OH}	High-level output current			4	mA
I_{OL}	Low-level output current	-4			
V_{IH}	High-level input voltage	2		V_{CC}	V
V_{IL}	Low-level input voltage	0		0.8	
T_J	Junction temperature	-55		136	°C

ELECTRICAL CHARACTERISTICS

V_{CC1} and V_{CC2} at 5 V $\pm 10\%$; $T_A = -55^\circ\text{C}$ to 125°C for ISO7421M, $T_A = -40^\circ\text{C}$ to 105°C for ISO7421

PARAMETER		TEST CONDITIONS	MIN	TYP	MAX	UNIT	
V_{OH}	High-level output voltage	$I_{OH} = -4\text{ mA}$; see Figure 1.	$V_{CC} - 0.8$	4.6		V	
		$I_{OH} = -20\ \mu\text{A}$; see Figure 1.	$V_{CC} - 0.1$	5			
V_{OL}	Low-level output voltage	$I_{OL} = 4\text{ mA}$; see Figure 1.		0.2	0.4	V	
		$I_{OL} = 20\ \mu\text{A}$; see Figure 1.		0	0.1		
$V_{I(HYS)}$	Input threshold voltage hysteresis			400		mV	
I_{IH}	High-level input current	IN from 0 V or V_{CC}			10	μA	
I_{IL}	Low-level input current		-10			μA	
C_I	Input capacitance to ground	IN at V_{CC} , $V_I = 0.4\ \sin(4E6\pi t)$		1.2		pF	
CMTI	Common-mode transient immunity	$V_I = V_{CC}$ or 0 V; see Figure 3.	25	50		kV/ μs	
SUPPLY CURRENT							
I_{CC1}	Supply current for V_{CC1}	$V_I = V_{CC}$ or 0 V, no load	Quiescent		2	3	mA
			25 Mbps		3.5	5	
			100 Mbps		7.5	11	
			200 Mbps		12	17	
I_{CC2}	Supply current for V_{CC2}	$V_I = V_{CC}$ or 0 V, no load	Quiescent		2	3	mA
			25 Mbps		3.5	5	
			100 Mbps		7.5	11	
			200 Mbps		12	17	

SWITCHING CHARACTERISTICS

V_{CC1} and V_{CC2} at 5 V $\pm 10\%$; $T_A = -55^\circ\text{C}$ to 125°C for ISO7421M, $T_A = -40^\circ\text{C}$ to 105°C for ISO7421

PARAMETER		TEST CONDITIONS	MIN	TYP	MAX	UNIT
t_{PLH} , t_{PHL}	Propagation delay time	See Figure 1.		9	12	ns
PWD ⁽¹⁾	Pulse duration distortion $ t_{PHL} - t_{PLH} $			0.3	1.5	ns
$t_{sk(pp)}$	Part-to-part skew time				2	ns
$t_{sk(o)}$	Channel-to-channel output skew time				1.6	ns
t_r	Output signal rise time	See Figure 1.		1		ns
t_f	Output signal fall time			1		ns
t_{fs}	Fail-safe output delay time from input power loss	See Figure 2.		6		μs
t_{ui}	Input pulse duration		5	4		ns
$1 / t_{ui}$	Signaling rate		0	250	200	Mbps

(1) Also known as pulse skew.

ELECTRICAL CHARACTERISTICS

 V_{CC1} at 5 V \pm 10%, V_{CC2} at 3.3 V \pm 10%; $T_A = -55^\circ\text{C}$ to 125°C for ISO7421M, $T_A = -40^\circ\text{C}$ to 105°C for ISO7421

PARAMETER		TEST CONDITIONS	MIN	TYP	MAX	UNIT	
V_{OH}	High-level output voltage	$I_{OH} = -4$ mA; see Figure 1 . ISO7421 (5-V side)	$V_{CC} - 0.8$			V	
		$I_{OH} = -20$ μA ; see Figure 1 .	$V_{CC} - 0.1$				
V_{OL}	Low-level output voltage	$I_{OL} = 4$ mA; see Figure 1 .			0.4	V	
		$I_{OL} = 20$ μA ; see Figure 1 .			0.1		
$V_{I(HYS)}$	Input threshold voltage hysteresis			400		mV	
I_{IH}	High-level input current	IN from 0 V or V_{CC}			10	μA	
I_{IL}	Low-level input current				-10	μA	
C_I	Input capacitance to ground	IN at V_{CC} , $V_I = 0.4 \sin(4E6\pi t)$		1.2		pF	
CMTI	Common-mode transient immunity	$V_I = V_{CC}$ or 0 V; see Figure 3 .	25	40		kV/ μs	
SUPPLY CURRENT							
I_{CC1}	Supply current for V_{CC1}	$V_I = V_{CC}$ or 0 V, no load	Quiescent		2	3	mA
			25 Mbps		3.5	5	
			100 Mbps		7.5	11	
			200 Mbps		12	17	
I_{CC2}	Supply current for V_{CC2}	$V_I = V_{CC}$ or 0 V, no load	Quiescent		1.5	2.5	mA
			25 Mbps		2.2	3.5	
			100 Mbps		4.2	6	
			200 Mbps		7.2	9	

SWITCHING CHARACTERISTICS

 V_{CC1} at 5 V \pm 10%, V_{CC2} at 3.3 V \pm 10%; $T_A = -55^\circ\text{C}$ to 125°C for ISO7421M, $T_A = -40^\circ\text{C}$ to 105°C for ISO7421

PARAMETER		TEST CONDITIONS	MIN	TYP	MAX	UNIT
t_{PLH} , t_{PHL}	Propagation delay time	See Figure 1 .		10	15	ns
PWD ⁽¹⁾	Pulse duration distortion $ t_{PHL} - t_{PLH} $			0.5	2	ns
$t_{sk(pp)}$	Part-to-part skew time				3	ns
$t_{sk(o)}$	Channel-to-channel output skew time				2	ns
t_r	Output signal rise time	See Figure 1 .		2		ns
t_f	Output signal fall time			2		ns
t_{fs}	Fail-safe output delay time from input power loss	See Figure 2 .		6		μs
t_{ui}	Input pulse duration		10	5		ns
$1 / t_{ui}$	Signaling rate		0	200	100	Mbps

(1) Also known as pulse skew.

ELECTRICAL CHARACTERISTICS

V_{CC1} at 3.3 V ±10%, V_{CC2} at 5 V ±10%; T_A = –55°C to 125°C for ISO7421M, T_A = –40°C to 105°C for ISO7421

PARAMETER		TEST CONDITIONS	MIN	TYP	MAX	UNIT	
V _{OH}	High-level output voltage	I _{OH} = –4 mA; see Figure 1.	ISO7421 (3.3-V side)		V _{CC} – 0.4	V	
		I _{OH} = –20 μA; see Figure 1.			V _{CC} – 0.1		
V _{OL}	Low-level output voltage	I _{OL} = 4 mA; see Figure 1.			0.4	V	
		I _{OL} = 20 μA; see Figure 1.			0		
V _{I(HYS)}	Input threshold voltage hysteresis				400	mV	
I _{IH}	High-level input current	IN from 0 V or V _{CC}			10	μA	
I _{IL}	Low-level input current				–10	μA	
C _I	Input capacitance to ground	IN at V _{CC} , V _I = 0.4 sin(4E6πt)			1	pF	
CMTI	Common-mode transient immunity	V _I = V _{CC} or 0 V; see Figure 3.	25	40		kV/μs	
SUPPLY CURRENT							
I _{CC1}	Supply current for V _{CC1}	V _I = V _{CC} or 0 V, no load	Quiescent		1.5	2.5	mA
			25 Mbps		2.2	3.5	
			100 Mbps		4.2	6	
			200 Mbps		7.2	9	
I _{CC2}	Supply current for V _{CC2}	V _I = V _{CC} or 0 V, no load	Quiescent		2	3	mA
			25 Mbps		3.5	5	
			100 Mbps		7.5	11	
			200 Mbps		12	17	

SWITCHING CHARACTERISTICS

V_{CC1} at 3.3 V ±10%, V_{CC2} at 5 V ±10%; T_A = –55°C to 125°C for ISO7421M, T_A = –40°C to 105°C for ISO7421

PARAMETER		TEST CONDITIONS	MIN	TYP	MAX	UNIT
t _{PLH} , t _{PHL}	Propagation delay time	See Figure 1.		10	15	ns
PWD ⁽¹⁾	Pulse duration distortion t _{PHL} – t _{PLH}			0.5	2	ns
t _{sk(pp)}	Part-to-part skew time				3	ns
t _{sk(o)}	Channel-to-channel output skew time				2	ns
t _r	Output signal rise time	See Figure 1.		2		ns
t _f	Output signal fall time			2		ns
t _{fs}	Fail-safe output delay time from input power loss	See Figure 2.		6		μs
t _{ui}	Input pulse duration		10	5		ns
1 / t _{ui}	Signaling rate		0	200	100	Mbps

(1) Also known as pulse skew.

ELECTRICAL CHARACTERISTICS

 V_{CC1} and V_{CC2} at 3.3 V \pm 10%, $T_A = -55^\circ\text{C}$ to 125°C for ISO7421M, $T_A = -40^\circ\text{C}$ to 105°C for ISO7421

PARAMETER		TEST CONDITIONS	MIN	TYP	MAX	UNIT	
V_{OH}	High-level output voltage	$I_{OH} = -4$ mA; see Figure 1 .	$V_{CC} - 0.4$	3		V	
		$I_{OH} = -20$ μA ; see Figure 1 .	$V_{CC} - 0.1$	3.3			
V_{OL}	Low-level output voltage	$I_{OL} = 4$ mA; see Figure 1 .		0.2	0.4	V	
		$I_{OL} = 20$ μA ; see Figure 1 .		0	0.1		
$V_{I(HYS)}$	Input threshold voltage hysteresis			400		mV	
I_{IH}	High-level input current	IN from 0 V or V_{CC}			10	μA	
I_{IL}	Low-level input current		-10			μA	
C_1	Input capacitance to ground	IN at V_{CC} , $V_I = 0.4 \sin(4E6\pi t)$		1		pF	
CMTI	Common-mode transient immunity	$V_I = V_{CC}$ or 0 V; see Figure 3 .	25	40		kV/ μs	
SUPPLY CURRENT							
I_{CC1}	Supply current for V_{CC1}	Quiescent 25 Mbps 100 Mbps 200 Mbps	$V_I = V_{CC}$ or 0 V, no load		1.5	2.5	mA
					2.2	3.5	
					4.2	6	
					7.2	9	
I_{CC2}	Supply current for V_{CC2}	Quiescent 25 Mbps 100 Mbps 200 Mbps	$V_I = V_{CC}$ or 0 V, no load		1.5	2.5	mA
					2.2	3.5	
					4.2	6	
					7.2	9	

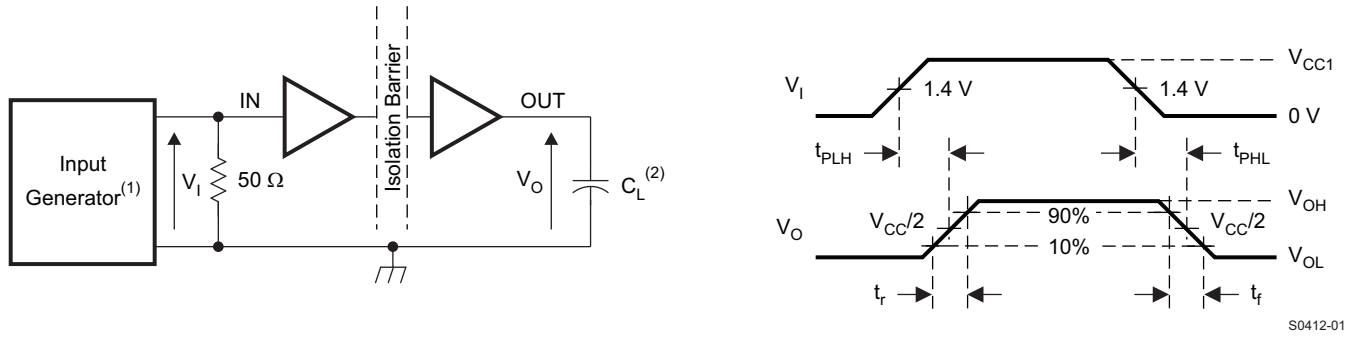
SWITCHING CHARACTERISTICS

 V_{CC1} and V_{CC2} at 3.3 V \pm 10%, $T_A = -55^\circ\text{C}$ to 125°C for ISO7421M, $T_A = -40^\circ\text{C}$ to 105°C for ISO7421

PARAMETER		TEST CONDITIONS	MIN	TYP	MAX	UNIT
t_{PLH} , t_{PHL}	Propagation delay time	See Figure 1 .		12	18	ns
PWD ⁽¹⁾	Pulse duration distortion $ t_{PHL} - t_{PLH} $		1	3	ns	
$t_{sk(pp)}$	Part-to-part skew time				4	ns
$t_{sk(o)}$	Channel-to-channel output skew time				3.5	ns
t_r	Output signal rise time	See Figure 1 .		2		ns
t_f	Output signal fall time			2		ns
t_{fs}	Fail-safe output delay time from input power loss	See Figure 2 .		6		μs
t_{ui}	Input pulse duration		10	5		ns
$1 / t_{ui}$	Signaling rate		0	200	100	Mbps

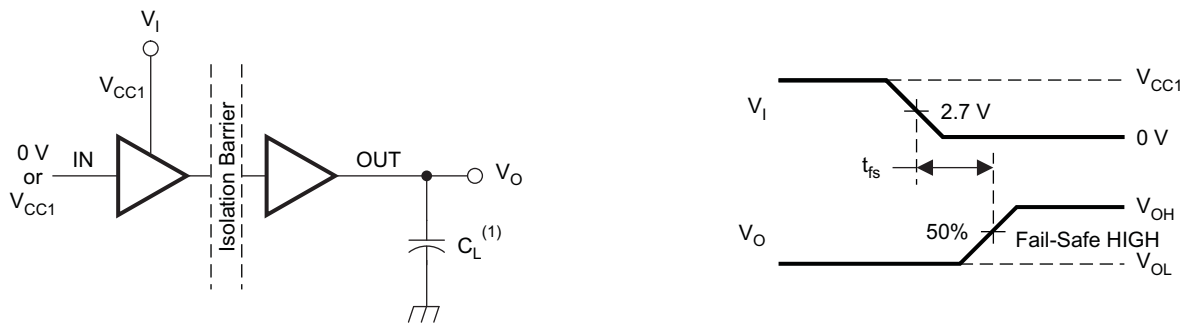
(1) Also known as pulse skew.

PARAMETER MEASUREMENT INFORMATION



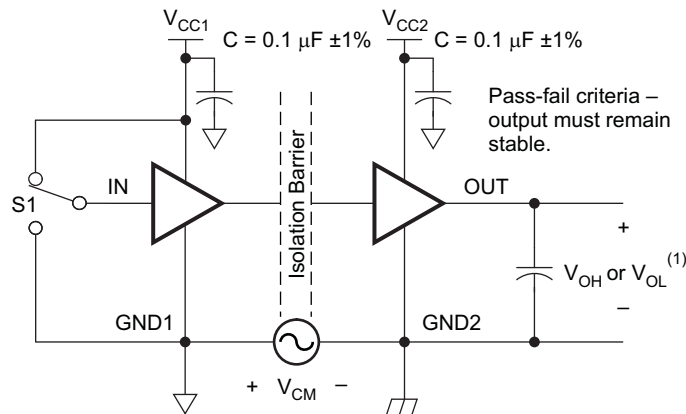
- (1) The input pulse is supplied by a generator having the following characteristics: PRR ≤ 50 kHz, 50% duty cycle, $t_r \leq 3$ ns, $t_f \leq 3$ ns, $Z_O = 50 \Omega$.
- (2) $C_L = 15$ pF and includes instrumentation and fixture capacitance within ±20%.

Figure 1. Switching Characteristic Test Circuit and Voltage Waveforms



- (1) $C_L = 15$ pF and includes instrumentation and fixture capacitance within ±20%.

Figure 2. Fail-Safe Output Delay-Time Test Circuit and Voltage Waveforms



- (1) $C_L = 15$ pF and includes instrumentation and fixture capacitance within ±20%.

Figure 3. Common-Mode Transient Immunity Test Circuit

DEVICE INFORMATION

PACKAGE CHARACTERISTICS

over recommended operating conditions (unless otherwise noted)

PARAMETER		TEST CONDITIONS	MIN	TYP	MAX	UNIT
L(I01)	Minimum air gap (clearance)	Shortest terminal-to-terminal distance through air	4.8			mm
L(I02)	Minimum external tracking (creepage)	Shortest terminal-to-terminal distance across the package surface	4.3			mm
CTI	Tracking resistance (comparative tracking index)	DIN IEC 60112 / VDE 0303 Part 1	>175			V
	Minimum internal gap (internal clearance)	Distance through the insulation	0.008			mm
R _{IO}	Isolation resistance	Input to output, V _{IO} = 500 V, all pins on each side of the barrier tied together creating a two-terminal device, T _A < 100°C	>10 ¹²			Ω
		Input to output	>10 ¹¹			Ω
C _{IO}	Barrier capacitance, input to output	V _I = 0.4 sin (4E6πt)		1		pF

NOTE:

Creepage and clearance requirements should be applied according to the specific equipment isolation standards of an application. Care should be taken to maintain the creepage and clearance distance of a board design to ensure that the mounting pads of the isolator on the printed-circuit board do not reduce this distance.

Creepage and clearance on a printed-circuit board become equal according to the measurement techniques shown in the Isolation Glossary. Techniques such as inserting grooves and/or ribs on a printed circuit board are used to help increase these specifications.

INSULATION CHARACTERISTICS⁽¹⁾

over recommended operating conditions (unless otherwise noted)

PARAMETER		TEST CONDITIONS	SPECIFICATION	UNIT
V _{IORM}	Maximum working insulation voltage		560	V
V _{PR}	Input-to-output test voltage	t = 1 s (100% production), partial discharge 5 pC	1050	V
V _{IOTM}	Transient overvoltage	t = 60 s (qualification)	4000	V
		t = 1 s (100% production)		
V _{ISO}	Isolation voltage per UL	t = 60 s (qualification)	2500	Vrms
		t = 1 s (100% production)	3000	
R _S	Insulation resistance	V _{IO} = 500 V at T _S	>10 ⁹	Ω
	Pollution degree		2	

(1) Climatic Classification 40/125/21

IEC 60664-1 RATINGS TABLE

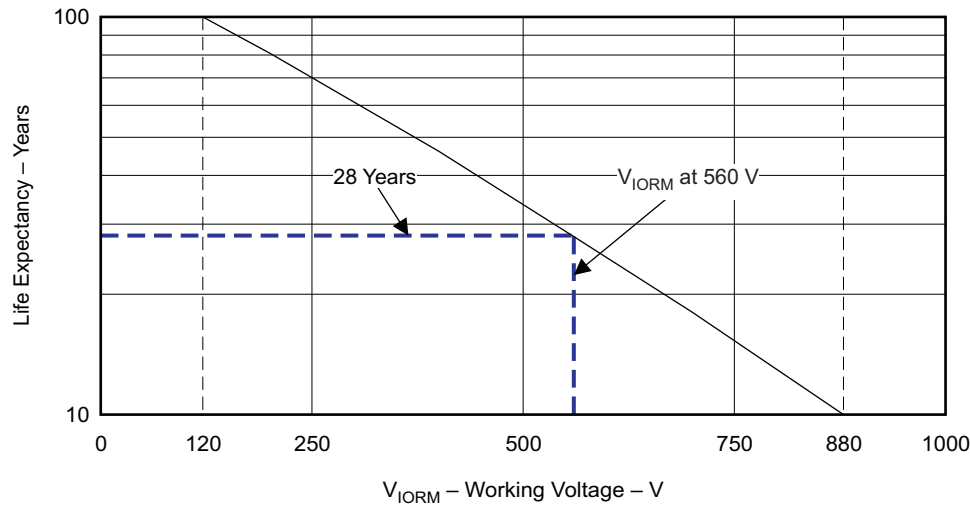
PARAMETER	TEST CONDITIONS	SPECIFICATION
Basic isolation group	Material group	III-a
Installation classification	Rated mains voltage ≤ 150 Vrms	I–IV
	Rated mains voltage ≤ 300 Vrms	I–III
	Rated mains voltage ≤ 400 Vrms	I–II

REGULATORY INFORMATION

VDE	CSA	UL
Certified according to IEC 60747-5-2	Approved under CSA Component Acceptance Notice	Recognized under 1577 Component Recognition Program ⁽¹⁾
File number: pending (40016131)	File number: pending (1698195)	File number: pending (E181974)

(1) Production tested ≥ 3000 Vrms for 1 second in accordance with UL 1577.

LIFE EXPECTANCY vs WORKING VOLTAGE



G001

Figure 4. Life Expectancy vs Working Voltage

IEC SAFETY LIMITING VALUES

Safety limiting intends to prevent potential damage to the isolation barrier upon failure of input or output circuitry. A failure of the I/O can allow low resistance to ground or the supply and, without current limiting, dissipate sufficient power to overheat the die and damage the isolation barrier, potentially leading to secondary system failures.

PARAMETER	TEST CONDITIONS	MIN	TYP	MAX	UNIT
I_S Safety input, output, or supply current	$\theta_{JA} = 212^\circ\text{C/W}$, $V_I = 5.5\text{ V}$, $T_J = 170^\circ\text{C}$, $T_A = 25^\circ\text{C}$			124	mA
	$\theta_{JA} = 212^\circ\text{C/W}$, $V_I = 3.6\text{ V}$, $T_J = 170^\circ\text{C}$, $T_A = 25^\circ\text{C}$			190	
T_S Maximum case temperature				150	$^\circ\text{C}$

The safety-limiting constraint is the absolute-maximum junction temperature specified in the *Absolute Maximum Ratings* table. The power dissipation and junction-to-air thermal impedance of the device installed in the application hardware determines the junction temperature. The assumed junction-to-air thermal resistance in the *Thermal Characteristics* table is that of a device installed in the JESD51-3, Low-Effective-Thermal-Conductivity Test Board for Leaded Surface-Mount Packages and is conservative. The power is the recommended maximum input voltage times the current. The junction temperature is then the ambient temperature plus the power times the junction-to-air thermal resistance.

PACKAGE THERMAL CHARACTERISTICS

(over recommended operating conditions unless otherwise noted)

PARAMETER	TEST CONDITIONS	MIN	TYP	MAX	UNIT
θ_{JA} Junction-to-air thermal resistance	Low-K thermal resistance ⁽¹⁾		212		$^\circ\text{C/W}$
	High-K thermal resistance ⁽¹⁾		122		
θ_{JB} Junction-to-board thermal resistance			37		$^\circ\text{C/W}$

(1) Tested in accordance with the low-K or high-K thermal metric definitions of EIA/JESD51-3 for leaded surface mount packages

(over recommended operating conditions unless otherwise noted)

PARAMETER	TEST CONDITIONS	MIN	TYP	MAX	UNIT	
θ_{JC}	Junction-to-case thermal resistance		69.1		°C/W	
P_D	Device power dissipation	$V_{CC1} = V_{CC2} = 5.5\text{ V}$, $T_J = 150^\circ\text{C}$, $C_L = 15\text{ pF}$, Input a 150-Mbps 50% duty-cycle square wave			390	mW

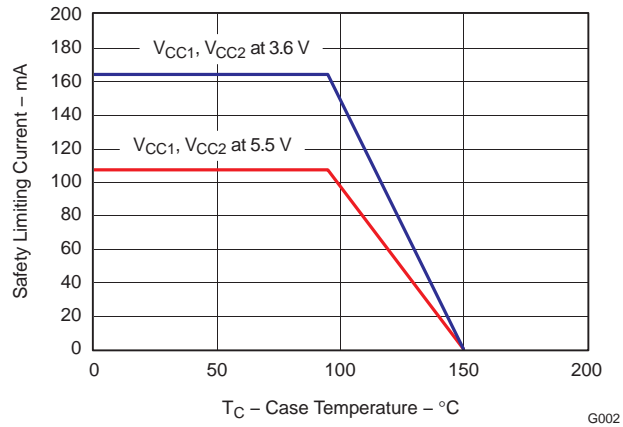


Figure 5. θ_{JC} Thermal Derating Curve per IEC 60747-5-2

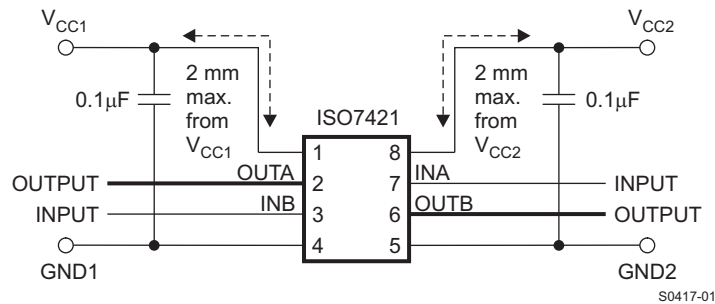


Figure 6. Typical ISO7421 Application Circuit

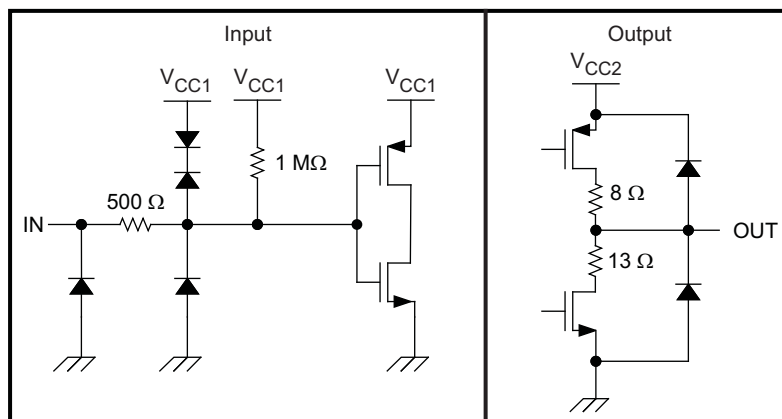


Figure 7. Device I/O Schematics

TYPICAL CHARACTERISTICS

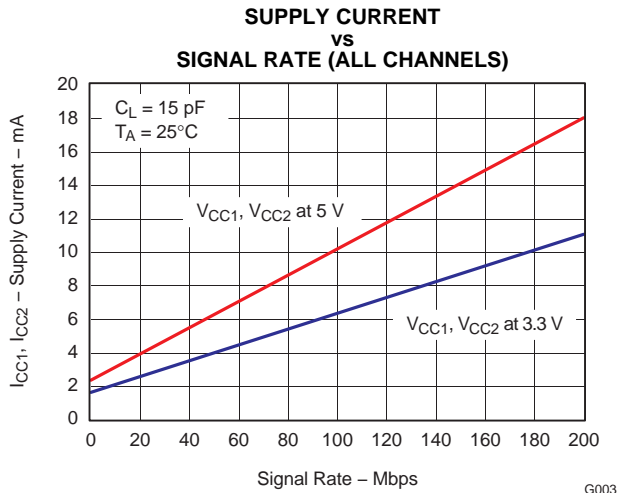


Figure 8.

G003

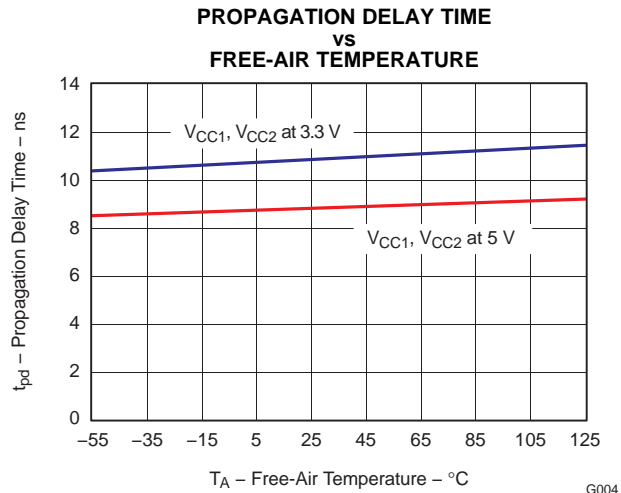


Figure 9.

G004

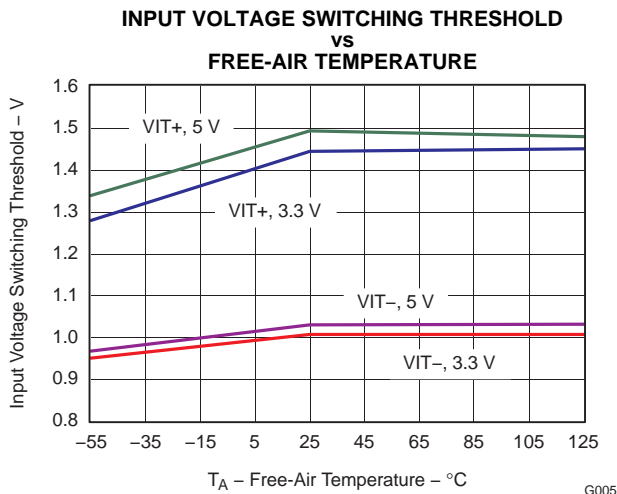


Figure 10.

G005

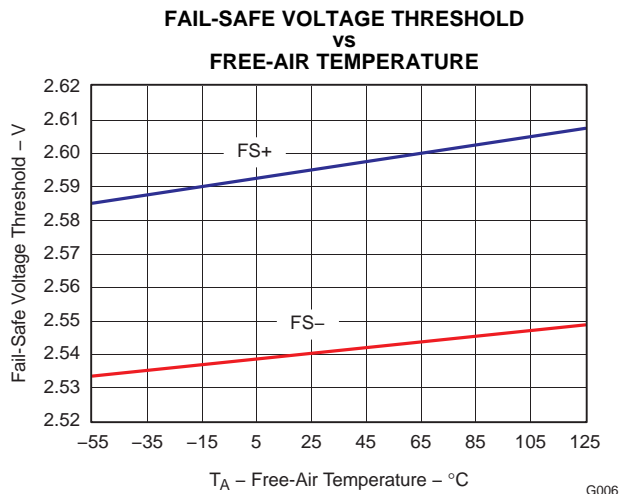


Figure 11.

G006

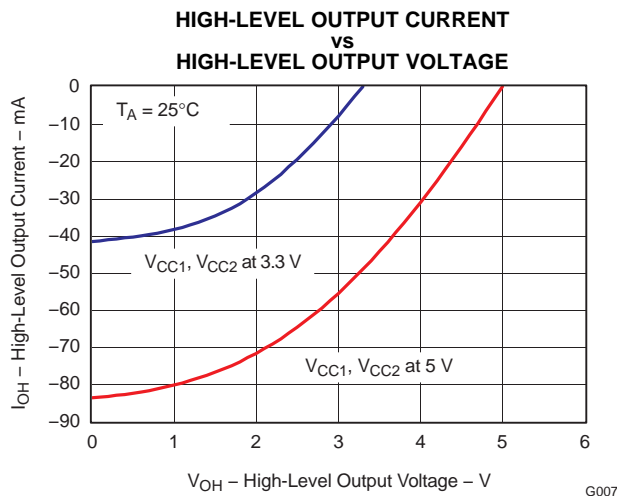


Figure 12.

G007

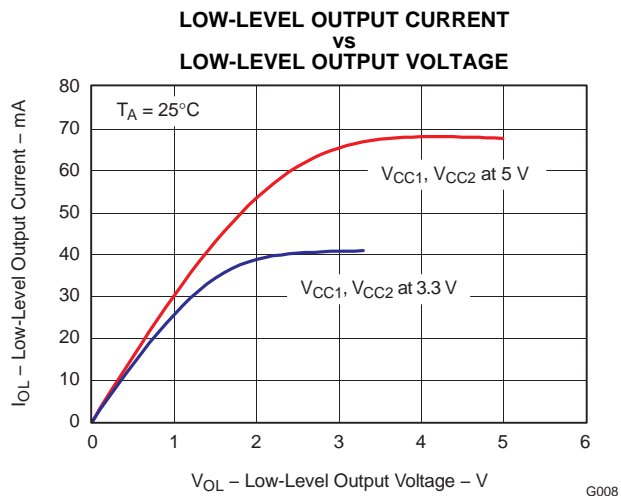


Figure 13.

G008

TYPICAL CHARACTERISTICS (continued)

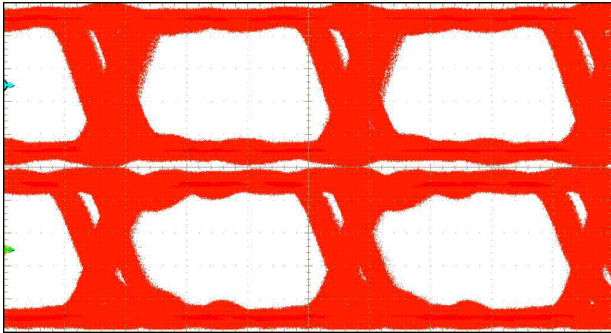


Figure 14. Eye Diagram at 250 MBPS, 5-V V_{CC} , Typical G009

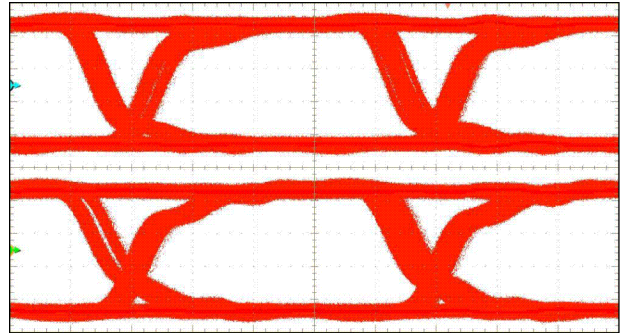


Figure 15. Eye Diagram at 200 MBPS, 5-V V_{CC} , 125°C G010

PACKAGING INFORMATION

Orderable Device	Status ⁽¹⁾	Package Type	Package Drawing	Pins	Package Qty	Eco Plan ⁽²⁾	Lead/Ball Finish	MSL Peak Temp ⁽³⁾
ISO7421D	ACTIVE	SOIC	D	8	75	Green (RoHS & no Sb/Br)	CU NIPDAU	Level-1-260C-UNLIM
ISO7421DR	ACTIVE	SOIC	D	8	2500	Green (RoHS & no Sb/Br)	CU NIPDAU	Level-1-260C-UNLIM
ISO7421MD	PREVIEW	SOIC	D	8	75	TBD	Call TI	Call TI
ISO7421MDR	PREVIEW	SOIC	D	8	2500	TBD	Call TI	Call TI

⁽¹⁾ The marketing status values are defined as follows:

ACTIVE: Product device recommended for new designs.

LIFEBUY: TI has announced that the device will be discontinued, and a lifetime-buy period is in effect.

NRND: Not recommended for new designs. Device is in production to support existing customers, but TI does not recommend using this part in a new design.

PREVIEW: Device has been announced but is not in production. Samples may or may not be available.

OBSOLETE: TI has discontinued the production of the device.

⁽²⁾ Eco Plan - The planned eco-friendly classification: Pb-Free (RoHS), Pb-Free (RoHS Exempt), or Green (RoHS & no Sb/Br) - please check <http://www.ti.com/productcontent> for the latest availability information and additional product content details.

TBD: The Pb-Free/Green conversion plan has not been defined.

Pb-Free (RoHS): TI's terms "Lead-Free" or "Pb-Free" mean semiconductor products that are compatible with the current RoHS requirements for all 6 substances, including the requirement that lead not exceed 0.1% by weight in homogeneous materials. Where designed to be soldered at high temperatures, TI Pb-Free products are suitable for use in specified lead-free processes.

Pb-Free (RoHS Exempt): This component has a RoHS exemption for either 1) lead-based flip-chip solder bumps used between the die and package, or 2) lead-based die adhesive used between the die and leadframe. The component is otherwise considered Pb-Free (RoHS compatible) as defined above.

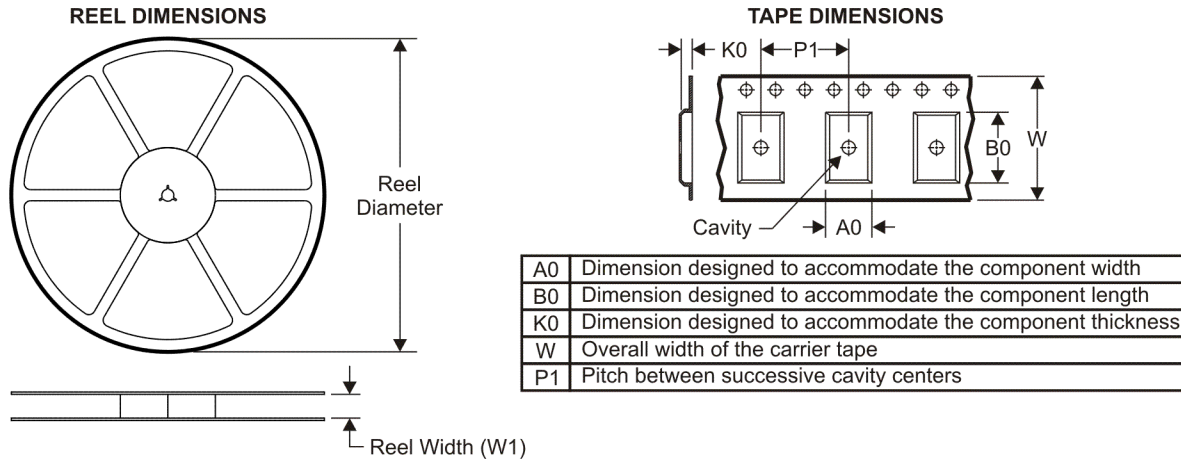
Green (RoHS & no Sb/Br): TI defines "Green" to mean Pb-Free (RoHS compatible), and free of Bromine (Br) and Antimony (Sb) based flame retardants (Br or Sb do not exceed 0.1% by weight in homogeneous material)

⁽³⁾ MSL, Peak Temp. -- The Moisture Sensitivity Level rating according to the JEDEC industry standard classifications, and peak solder temperature.

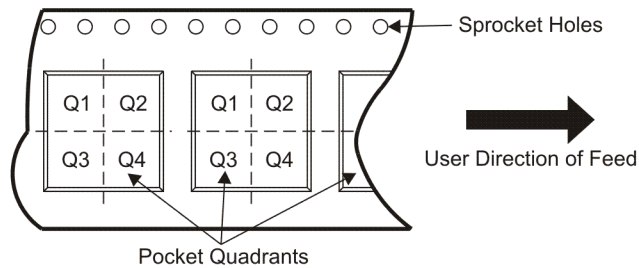
Important Information and Disclaimer:The information provided on this page represents TI's knowledge and belief as of the date that it is provided. TI bases its knowledge and belief on information provided by third parties, and makes no representation or warranty as to the accuracy of such information. Efforts are underway to better integrate information from third parties. TI has taken and continues to take reasonable steps to provide representative and accurate information but may not have conducted destructive testing or chemical analysis on incoming materials and chemicals. TI and TI suppliers consider certain information to be proprietary, and thus CAS numbers and other limited information may not be available for release.

In no event shall TI's liability arising out of such information exceed the total purchase price of the TI part(s) at issue in this document sold by TI to Customer on an annual basis.

TAPE AND REEL INFORMATION



QUADRANT ASSIGNMENTS FOR PIN 1 ORIENTATION IN TAPE



*All dimensions are nominal

Device	Package Type	Package Drawing	Pins	SPQ	Reel Diameter (mm)	Reel Width W1 (mm)	A0 (mm)	B0 (mm)	K0 (mm)	P1 (mm)	W (mm)	Pin1 Quadrant
ISO7421DR	SOIC	D	8	2500	330.0	12.4	6.4	5.2	2.1	8.0	12.0	Q1

TAPE AND REEL BOX DIMENSIONS

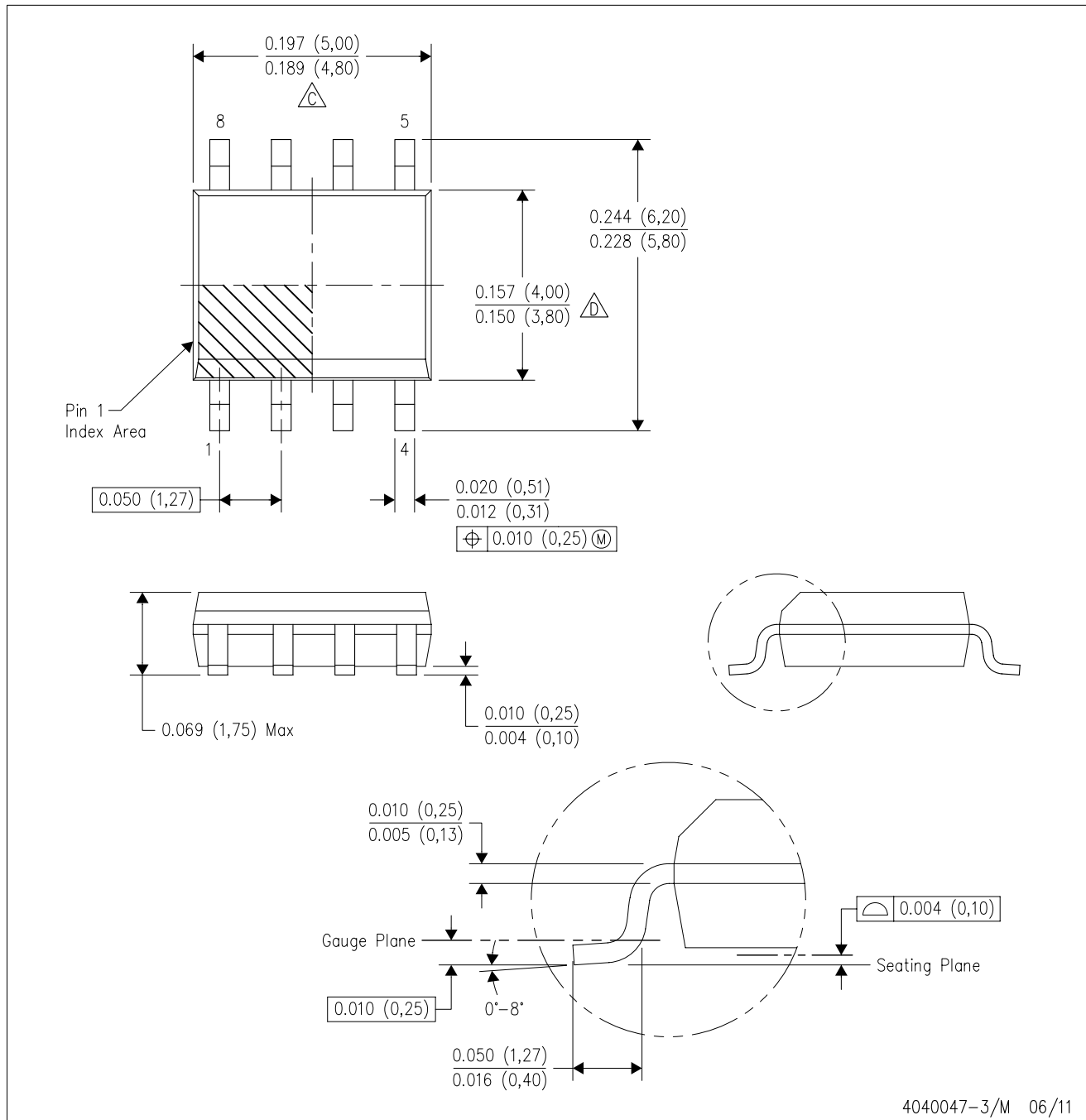


*All dimensions are nominal

Device	Package Type	Package Drawing	Pins	SPQ	Length (mm)	Width (mm)	Height (mm)
ISO7421DR	SOIC	D	8	2500	358.0	335.0	35.0

D (R-PDSO-G8)

PLASTIC SMALL OUTLINE



- NOTES:
- A. All linear dimensions are in inches (millimeters).
 - B. This drawing is subject to change without notice.
 - C. Body length does not include mold flash, protrusions, or gate burrs. Mold flash, protrusions, or gate burrs shall not exceed 0.006 (0,15) each side.
 - D. Body width does not include interlead flash. Interlead flash shall not exceed 0.017 (0,43) each side.
 - E. Reference JEDEC MS-012 variation AA.

IMPORTANT NOTICE

Texas Instruments Incorporated and its subsidiaries (TI) reserve the right to make corrections, modifications, enhancements, improvements, and other changes to its products and services at any time and to discontinue any product or service without notice. Customers should obtain the latest relevant information before placing orders and should verify that such information is current and complete. All products are sold subject to TI's terms and conditions of sale supplied at the time of order acknowledgment.

TI warrants performance of its hardware products to the specifications applicable at the time of sale in accordance with TI's standard warranty. Testing and other quality control techniques are used to the extent TI deems necessary to support this warranty. Except where mandated by government requirements, testing of all parameters of each product is not necessarily performed.

TI assumes no liability for applications assistance or customer product design. Customers are responsible for their products and applications using TI components. To minimize the risks associated with customer products and applications, customers should provide adequate design and operating safeguards.

TI does not warrant or represent that any license, either express or implied, is granted under any TI patent right, copyright, mask work right, or other TI intellectual property right relating to any combination, machine, or process in which TI products or services are used. Information published by TI regarding third-party products or services does not constitute a license from TI to use such products or services or a warranty or endorsement thereof. Use of such information may require a license from a third party under the patents or other intellectual property of the third party, or a license from TI under the patents or other intellectual property of TI.

Reproduction of TI information in TI data books or data sheets is permissible only if reproduction is without alteration and is accompanied by all associated warranties, conditions, limitations, and notices. Reproduction of this information with alteration is an unfair and deceptive business practice. TI is not responsible or liable for such altered documentation. Information of third parties may be subject to additional restrictions.

Resale of TI products or services with statements different from or beyond the parameters stated by TI for that product or service voids all express and any implied warranties for the associated TI product or service and is an unfair and deceptive business practice. TI is not responsible or liable for any such statements.

TI products are not authorized for use in safety-critical applications (such as life support) where a failure of the TI product would reasonably be expected to cause severe personal injury or death, unless officers of the parties have executed an agreement specifically governing such use. Buyers represent that they have all necessary expertise in the safety and regulatory ramifications of their applications, and acknowledge and agree that they are solely responsible for all legal, regulatory and safety-related requirements concerning their products and any use of TI products in such safety-critical applications, notwithstanding any applications-related information or support that may be provided by TI. Further, Buyers must fully indemnify TI and its representatives against any damages arising out of the use of TI products in such safety-critical applications.

TI products are neither designed nor intended for use in military/aerospace applications or environments unless the TI products are specifically designated by TI as military-grade or "enhanced plastic." Only products designated by TI as military-grade meet military specifications. Buyers acknowledge and agree that any such use of TI products which TI has not designated as military-grade is solely at the Buyer's risk, and that they are solely responsible for compliance with all legal and regulatory requirements in connection with such use.

TI products are neither designed nor intended for use in automotive applications or environments unless the specific TI products are designated by TI as compliant with ISO/TS 16949 requirements. Buyers acknowledge and agree that, if they use any non-designated products in automotive applications, TI will not be responsible for any failure to meet such requirements.

Following are URLs where you can obtain information on other Texas Instruments products and application solutions:

Products

Audio	www.ti.com/audio
Amplifiers	amplifier.ti.com
Data Converters	dataconverter.ti.com
DLP® Products	www.dlp.com
DSP	dsp.ti.com
Clocks and Timers	www.ti.com/clocks
Interface	interface.ti.com
Logic	logic.ti.com
Power Mgmt	power.ti.com
Microcontrollers	microcontroller.ti.com
RFID	www.ti-rfid.com
RF/IF and ZigBee® Solutions	www.ti.com/lprf

Applications

Communications and Telecom	www.ti.com/communications
Computers and Peripherals	www.ti.com/computers
Consumer Electronics	www.ti.com/consumer-apps
Energy and Lighting	www.ti.com/energy
Industrial	www.ti.com/industrial
Medical	www.ti.com/medical
Security	www.ti.com/security
Space, Avionics and Defense	www.ti.com/space-avionics-defense
Transportation and Automotive	www.ti.com/automotive
Video and Imaging	www.ti.com/video
Wireless	www.ti.com/wireless-apps

TI E2E Community Home Page

e2e.ti.com

Mailing Address: Texas Instruments, Post Office Box 655303, Dallas, Texas 75265
Copyright © 2011, Texas Instruments Incorporated